

MODEL

GC24698-25 系列

长臂型立柱式综合送料平缝机

Long arm high post bed compound feed lockstitch sewing machine

GC24698-25L

GC24698-25R

GC24698-25

GC24698-25B

本系列机型是海菱原 GC24698 系列机型的加长版。保留了原机型综合送料方式和超高立柱式缝台的特点，机头上部和底座比原机型加长了约一倍，使操作空间极为宽敞。根据缝制品的需要，本系列机型分为双针、单针左缝台 (L) 右缝台 (R)，缝台采用经改进设计的针板，适用于缝制大型立体及小曲度的物品。本机采用大功率伺服电机驱动，采用气动抬压脚，气动倒缝，操作轻松简便，缝纫顺畅自如。

GC24698-25L 长臂型立柱式综合送料平缝机 (左缝台)

GC24698-25R 长臂型立柱式综合送料平缝机 (右缝台)

GC24698-25 长臂型立柱式综合送料双针平缝机

GC24698-25B 长臂型立柱式综合送料双针平缝机 (大旋梭)

This series is the long arm type of GC24698 series. While maintaining the features of compound feed mechanism and high post bed, the arm and bed have been double lengthened for large working space. It is subclassed into two needle type, single needle left-side stitching bed type (L) and single needle right-side stitching bed type (R) to meet different sewing requests. With special needle plate, powerful servo motor, pneumatic presser foot lift and pneumatic back tacking, it is available for sewing large and cubic articles with small radius easily and smoothly.

GC24698-25L Long arm high post bed compound feed lockstitch sewing machine (left-side stitching bed)

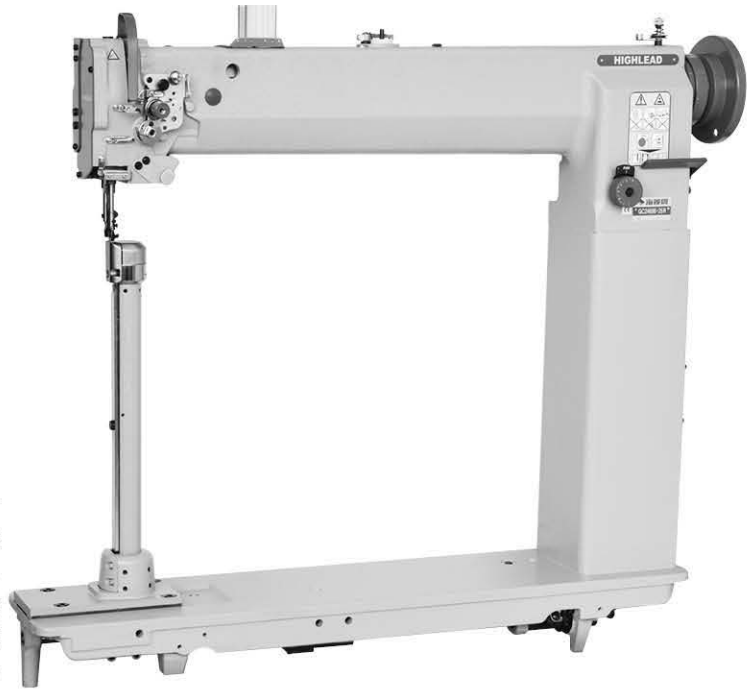
GC24698-25R Long arm high post bed compound feed lockstitch sewing machine (right-side stitching bed)

GC24698-25 Long arm twin-needle high post bed compound feed lockstitch sewing machine

GC24698-25B Long arm twin-needle high post bed compound feed lockstitch sewing machine (Large hook)

主要技术参数 Main technical specifications

型号 Model	缝台位置 Bed type	最高缝速 Max sewing speed	线迹长度 Stitch length	压脚提升 Presser foot lift	机针 Needle size	针间距 Needle gauge	旋梭 Rotating hook	缝台高度 Heightness of post-bed	润滑方式 Lubrication	电动机 Motor	操作空间 Working space
GC24698-25L	左缝台 Left-side stitching bed	1200 r.p.m.	0-6 mm	手动 / 气动 By hand / Pneumatic 8 / 16 mm	DP × 17 18°-23°	○	立式旋梭 vertical hook	450 mm	手工润滑 Manual	220伏550瓦 伺服电机 220V550W Servo motor	635 × 550 mm
GC24698-25R	右缝台 Right-side stitching bed	1200 r.p.m.	0-6 mm		DP × 17 18°-23°	○	立式旋梭 vertical hook	450 mm	手工润滑 Manual		635 × 550 mm
GC24698-25	○	1200 r.p.m.	0-6 mm		DP × 17 18°-23°	标准 8mm (Standard)	立式旋梭 vertical hook	450 mm	手工润滑 Manual		635 × 550 mm
GC24698-25B	○	1200 r.p.m.	0-7 mm		DP × 17 23°	标准8mm (Standard) 特殊9.5mm (Special)	立式大旋梭 Large vertical hook	450 mm	手工润滑 Manual		635 × 550 mm



GC24698-25 长臂型立柱式综合送料平缝机



特殊规格针间距请在订货时指定
Please specify for special needle gauge when ordering